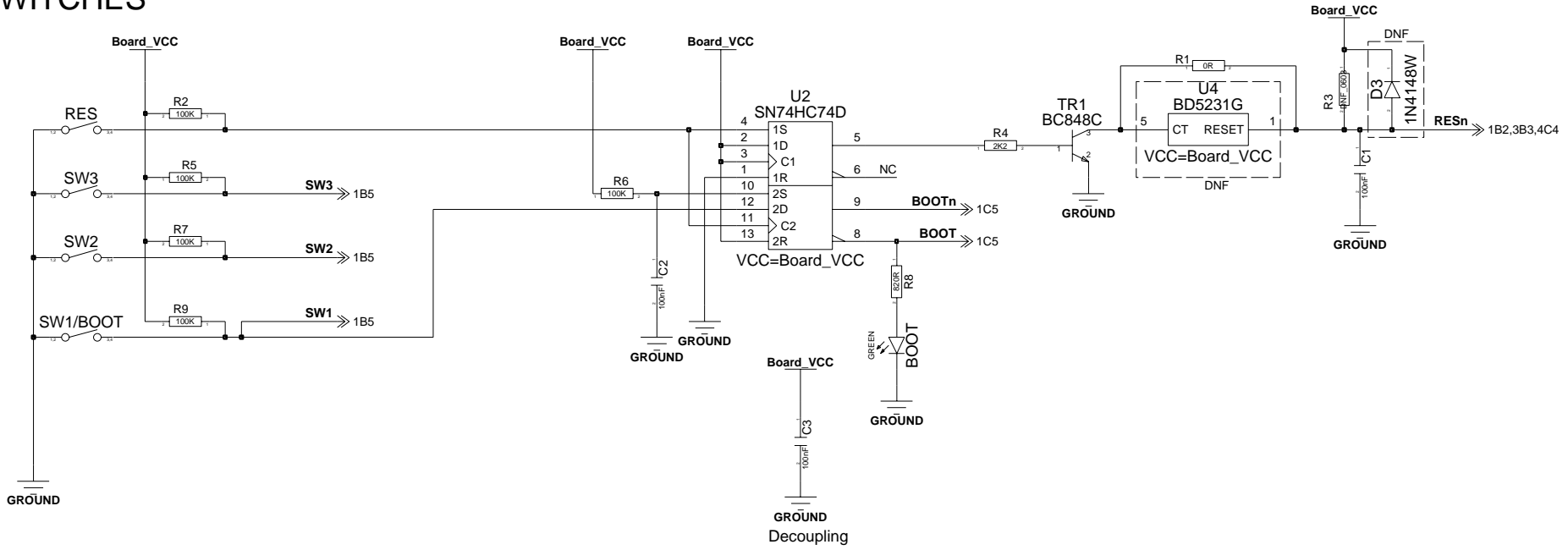
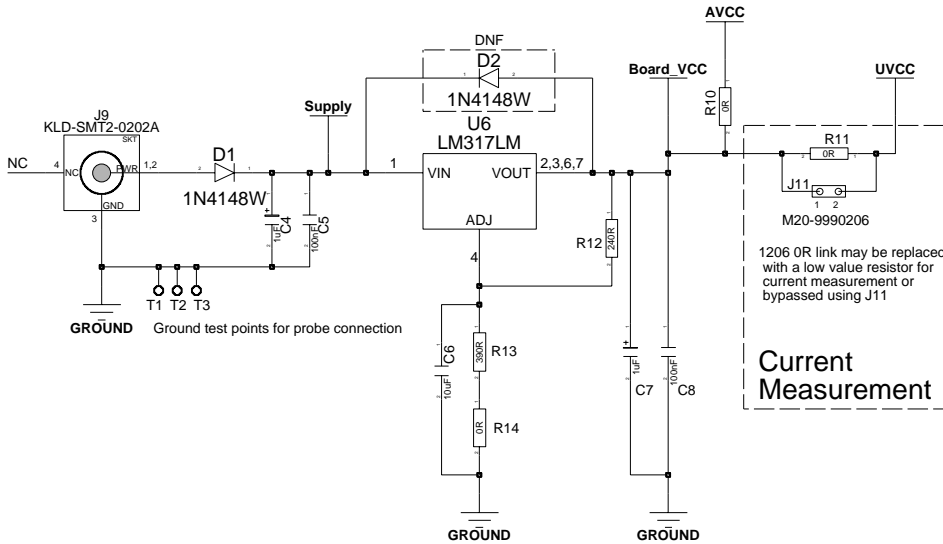


Reference	38086	38076
R56	DNF	FIT
R41	FIT	DNF
R45	FIT	DNF
R36	FIT	DNF
R37	100R	OR
C17	FIT	DNF
C14	FIT	DNF
C18	FIT	DNF

# SWITCHES



# PSU



SIZE A4

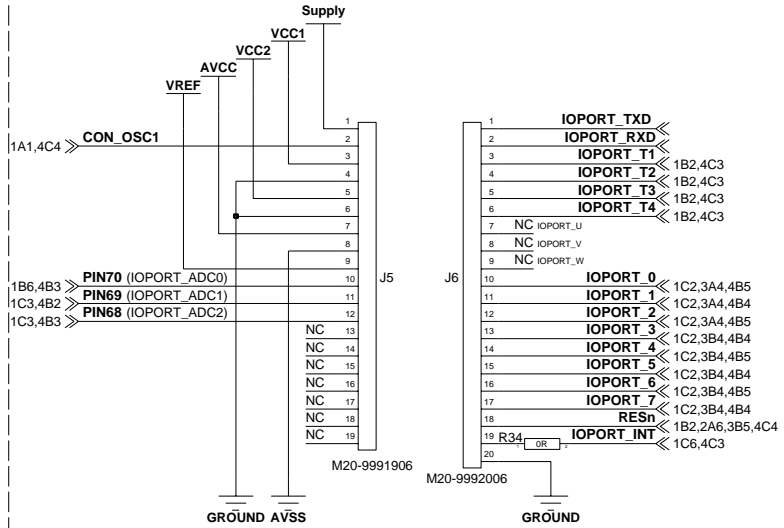
**RENESAS TECHNOLOGY EUROPE LTD**  
Dukes Meadow, Bourne End, Buckinghamshire  
UNITED KINGDOM

SCHEMATIC TITLE  
**3DK38086**

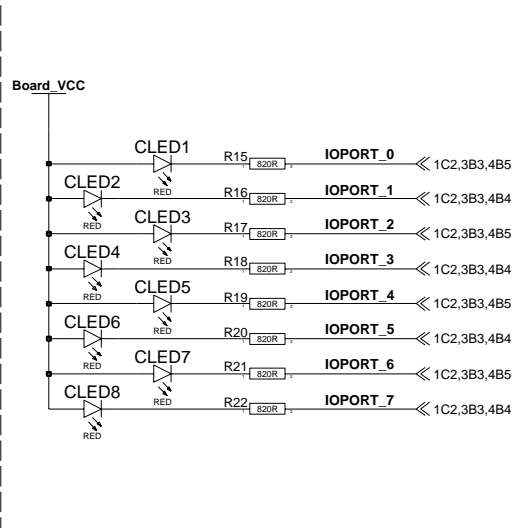
SHEET TITLE  
**Switches and PSU**

DRAWN BY <b>AMC</b>	DATE <b>16-01-04</b>	REV <b>1</b>	DRAWING NUMBER <b>D004682_04</b>	PAGE <b>3/4</b>
------------------------	-------------------------	-----------------	-------------------------------------	--------------------

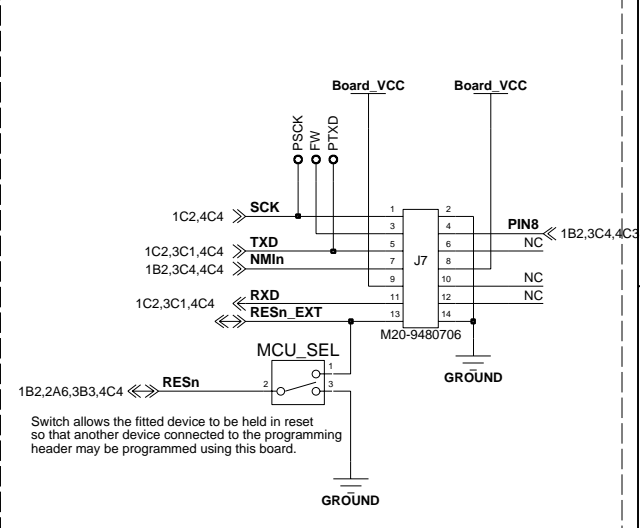
# GENERIC HEADERS



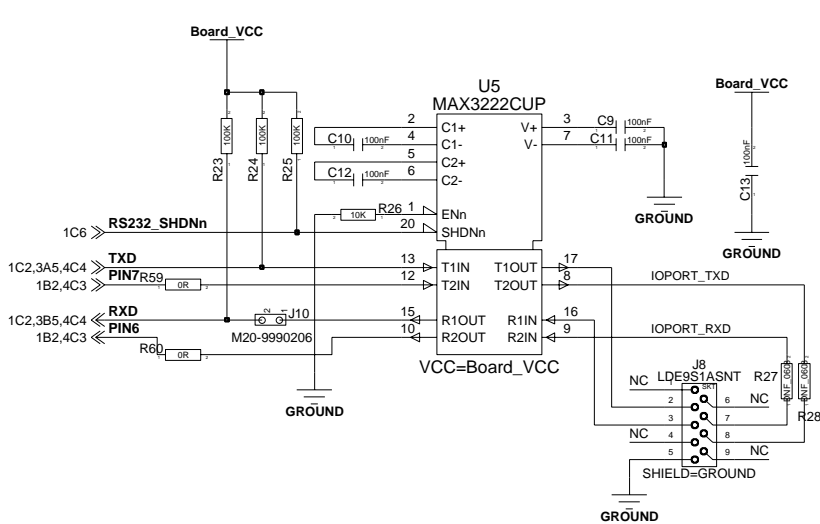
# LEDs



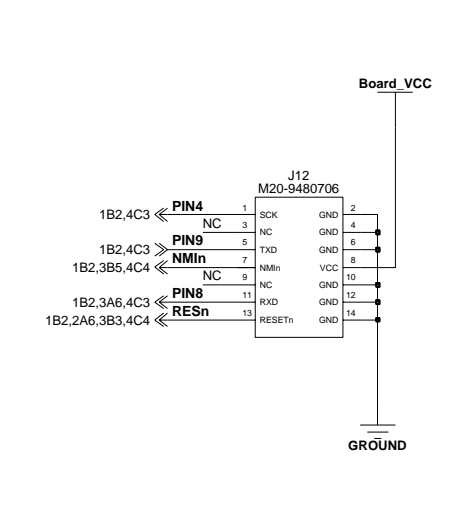
# FLASH PROGRAMMING



# SERIAL PORT

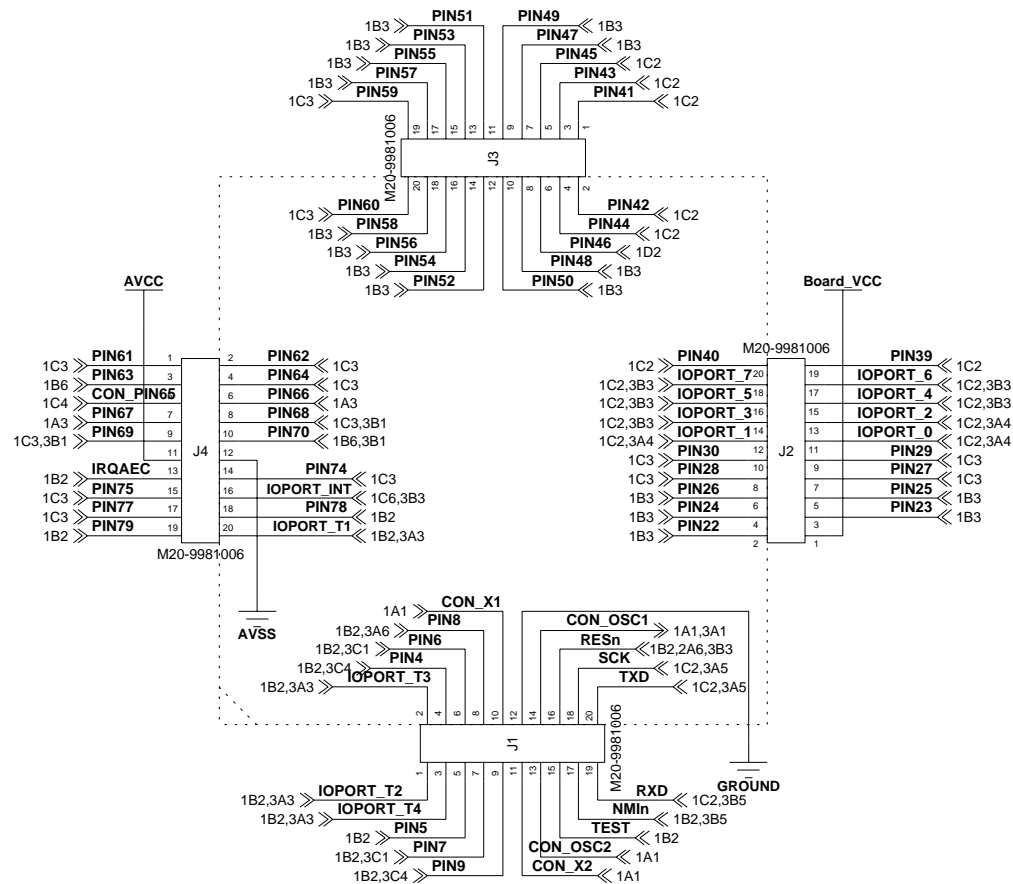


# E7



SIZE A4

<b>RENESAS TECHNOLOGY EUROPE LTD</b>				
Dukes Meadow, Bourne End, Buckinghamshire UNITED KINGDOM				
SCHEMATIC TITLE				
<b>3DK38086</b>				
SHEET TITLE				
<b>Generic &amp; FLASH connector, LEDs &amp; Serial Port</b>				
DRAWN BY	DATE	REV	DRAWING NUMBER	PAGE
AMC	16-01-04	1	D004682_04	3/4



SIZE A4

<b>RENESAS TECHNOLOGY EUROPE LTD</b> Dukes Meadow, Bourne End, Buckinghamshire UNITED KINGDOM				
SCHEMATIC TITLE <b>3DK38086</b>				
SHEET TITLE <b>Headers</b>				
DRAWN BY AMC	DATE 16-01-04	REV 1	DRAWING NUMBER D004682_04	PAGE 4/4